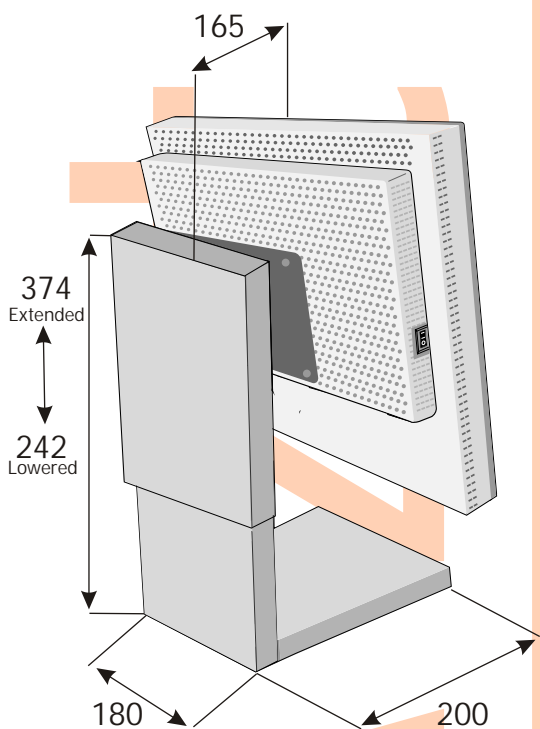
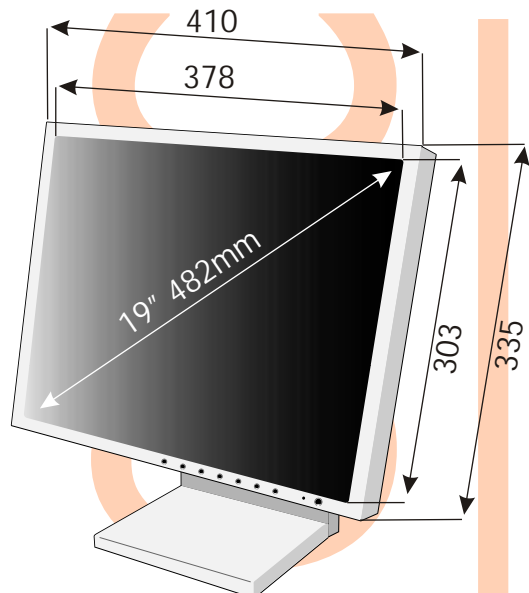


NEC 1980 SXB
19" TFT
Screen

Technical Data Sheet No 25

Please allow 50mm
for cabling at rear.
Min clearance hole for
cable runs 50mm Dia.



Dimensions in millimetres

aztec

Maximum Resolution 1280 x 1024

Net Weight 9.3kg

Weight in Flight Case (Size)
21.8kg (W = 590 x H = 580 x D = 338)

Power Connection 220 - 240V 50/60Hz

Power Consumption 0.5Amps
@ 240V = 120Watts

Connections

Digital Video DV-I & DVI-D Input,
D-Sub (VGA)

Cable lengths

DVI & VGA = 2000mm
Mains Lead = 2500mm

Standard Accessories

DVI Cable
Desk Stand

Optional Accessories

VGA Cable
Wall Mounting Brackets

Colour

Available in Black



Aztec Communications Ltd
St Georges House
195 - 203 Waterloo Road
London SE1 8UX

Tel: (+44) (0) 870 746 3000
Fax: (+44) (0) 870 746 3001
email: sales@aztecuk.net